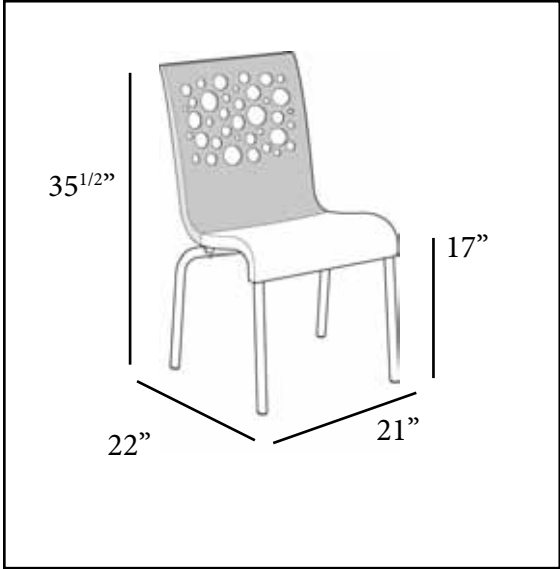




New Color!

Tempo Stacking Chair



Meets the performance standards of EN 581-1 and EN 581-2 for commercial use.

Tested in accordance with and passes each test procedure utilized in ASTM F 1561-96 Class B performance standard for commercial seating.

Features & Benefits **Warranty: 3 Yrs.**

- Unique, 2-color designer chair with a young & fun bubbly personality and european design.
- Strong metal legs and hard wearing footpads for extra stability.
- Indoor stacking chair specifically designed for versatility of use in many contemporary environments.
- Perfect for use in food courts, cafeterias, airports, shopping malls, hospitals, colleges, and universities.
- Stacks for easy storage.
- Easy to clean with soap and water.
- Rated to 300 lbs. for safe use.

Product Specifications

Product Description	Reference Number	Color	UPC Code 014306	Weight Each (lbs.)	Master Pack	Master Pack Volume (cu. ft.)
Tempo Stacking Chair <i>New Color!</i>	US021004	White/White	911847	13.45	4	21.60
	US021152	Fern Green/White	911830	13.45	4	21.60
	US021413	Beige/Taupe	911854	13.45	4	21.60
	US021017	Black/White	911861	13.45	4	21.60
	US021414	Red/White	911878	13.45	4	21.60
	US021019	Orange/White	912004	13.45	4	21.60
	US210151	Eggplant/Linen	918259	13.45	4	21.60
	US210187	Raspberry/Linen	919331	13.45	4	21.60
	US210196	Storm Blue/Linen	921648	13.45	4	21.60