



PROVEN PERFORMER

On-Premises Softmount Washer-Extractors SY180, SY240, SY280

Features

- Freestanding, high spin
- Stainless steel top front panel, side panels
- Stainless steel drum and tub
- QED Select – fully programmable
- Patented soap hopper
- High capacity water inlets (SY280)
- Large drain valve (Ø 76 mm)
- Easy access to all vital parts from the front
- Large door opening for easy loading and unloading
- Perforated lifting ribs: more mechanical action and lower water consumption
- Eco washing programs – significantly reduces water and electricity consumption



EASY
OPERATION



ERGONOMICAL
CONSTRUCTION



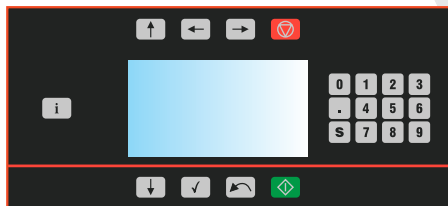
LARGE DOOR
OPENING



LOW WATER
CONSUMPTION

Options

- Coin operated
- USB plug and Network cable connection (on the back panel)
- Liquid soap connection
- Liquid soap pumps
- Water recovery kit
- Steam heating version
- 3rd water inlet
- High capacity water inlets (SY180, SY240)
- Automatic weighing system by weighing cells to measure exact capacity of the linen
- Second drain valve for faster draining (SY280)
- QED Assist - Laundry management software



Control panel (QED Select)



SY180

	SY180	SY240	SY280
Innerdrum			
Capacity 10:1 kg	18	24	28
Capacity 9:1 kg	20	27	32
Volume litres	180	240	280
Diameter mm	750	750	750
Motor			
Frequency controlled	Yes	Yes	Yes
Drum speed			
Wash rpm	42	42	42
Extraction rpm	980	980	915
G-factor	400	400	350
Programmer			
Type of control	QED Select	QED Select	QED Select
Cabinet			
Stainless steel	Yes	Yes	Yes
Heating			
Electrical or Electrical additional kW	12	18	22
Steam bar	15 - 116	15 - 116	15 - 116
Steam bar	90	90	90
Steam bar	68	66	70
Steam bar	¾"	¾"	¾"
Steam bar	100 - 800	100 - 800	100 - 800
Steam bar	300 - 500	300 - 500	300 - 500
Connection			
Water inlet mm	19	19	19
Steam inlet mm	13	13	13
Compressed air inlet mm	n/a	n/a	n/a
Drain valve outer mm	76	76	76
Flow amount with drain valve l/min	210	210	210
Steam valve connection BSP	½"	½"	½"
Steam pressure k-Pa	100 - 800	100 - 800	100 - 800
Power			
Electrical requirements (without heating element) V Hz	1×220-240V 50-60Hz	1×220-240V 50-60Hz	1×220-240V 50-60Hz
Full load amps (without heating element) A	14.2	15	16
Breaker (without heating element) A	20	20	20
Electrical requirements (with heating element) V Hz	3×380-415V +N 50-60Hz	3×380-415V +N 50-60Hz	3×380-415V +N 50-60Hz
Full load amps (with heating element) A	23.1	31.9	40.5
Breaker (with heating element) A	25	32	50
Heating element kW	12	18	21-Sep
Transport data			
Gross weight kg	395	450	515
Net weight kg	380	430	495
Dimensions H×W×D mm	1410×970×970	1410×970×1105	1410×970×1185
Packaging dimension H×W×D mm	1550×1025×1015	1550×1025×1150	1550×1025×1225
Volume m ³	1.6	1.8	2.0

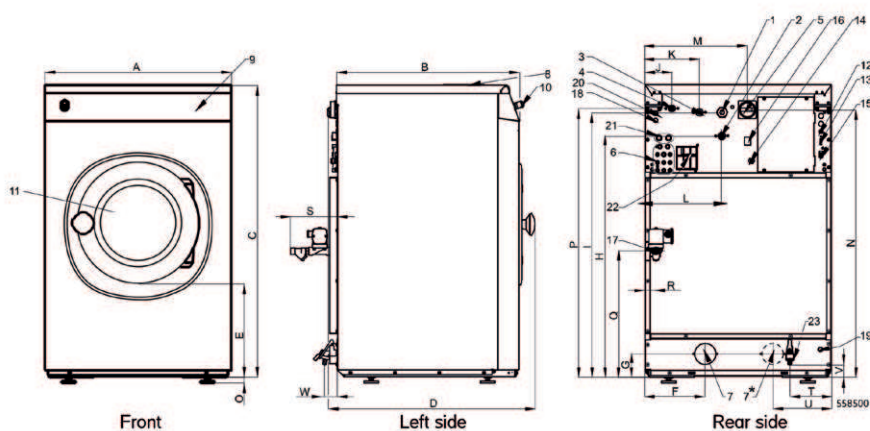


Dimensions

	A	B	C	D	E	F	G	H	I	J	K	L	M	N	O	P	Q	R	S
SY180	970	876	1410	970	477	270	108.5	1215	1297.5	113	218	293	610	1315	24	1320	490	80	90
SY240	970	1011	1410	1105	477	270	108.5	1215	1297.5	113	218	293	610	1315	24	1320	490	80	90
SY280	970	1086	1410	1185	477	270	108.5	1215	1305	113	218	293	610	1315	24	1320	490	80	90

	T	U	V	W
SY180	203	-	67	48
SY240	203	-	67	48
SY280	203	274	67	48

All measurements are in mm.



- 1 Electrical connection
- 2 Hot water
- 3 Cold water hard
- 4 Cold water soft
- 5 Main switch
- 6 Connection liquid soap
- 7 Drain: drain valve (pump), 1 x \varnothing 76 mm
SY280 - drain valve or recycle valve, 1 x \varnothing 76 mm (on request)
- 8 Soap dispenser
- 9 Control panel
- 10 Button CENTRALSTOP
- 11 Door opening: \varnothing 460 mm
- 12 Fuses
- 13 USB port
- 14 Electrical connection to liquid soap pumps
- 15 PC programming connection (RS485)
- 16 Heating change-over switch (electrical heating, steam heating)
- 17 Steam connection (steam version) 1/2"
- 18 Steam valve connection (steam version)
- 19 Inlet of cable for discharge of water into the water recycle
- 20 Cable inlet - cable for control of the valve or pump of water from the water recycle
- 21 Inlet of water from the recycle (external diameter 19)
- 22 Air relieve
- 23 Drain valve 1/2", applicable for wash bath sample (on request)

