



COMMERCIAL RESIN FURNITURE

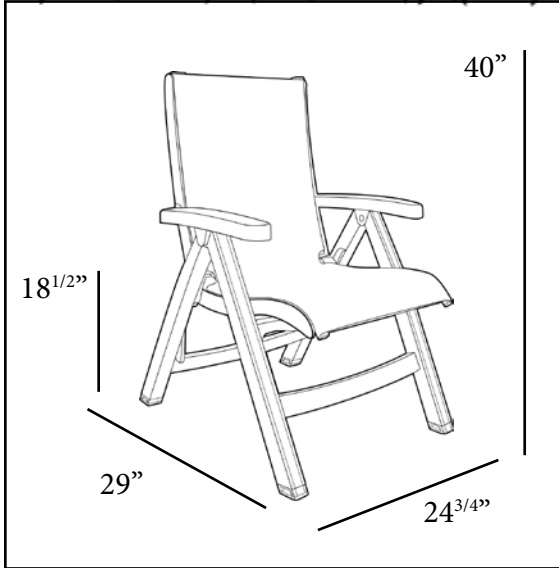
*Your best value for Food Service & Hospitality!*

# New Colors!

## Belize Midback Folding Sling Chair

Meets the performance standards of EN 581-1 and EN 581-2 for commercial use.

***Sling is Easy to Replace!***



**Features & Benefits** Fabric: 3 yr. limited warranty • Frame: 3 yr. commercial warranty

- Specifically designed to provide comfort and ease of utilization and storage in hospitality environments.
- Grosfillex® high strength textilene fabric specifically woven to resist discoloration by the sunlight, mold & mildew, sagging, soiling and wear & tear on balconies and in the public areas of resorts, hotels, and motels.
- Color coordinates with all Grosfillex® resin sling chaises: Nautical, Marina, Catalina, and Calypso.
- Rated to 300 lbs. in compliance with the requirements of EN 1728 for non-residential use.
- Hard wearing footpads for extra wear resistance on hard deck surfaces.
- Folds flat for easy storage.
- Easy to clean - simply powerwash!
- A locking device secures the seat of the chair into position for safe use.
- Easy to replace sling fabric for repair or renovation.

Product Specifications						
Product Description	Reference Number	Color	UPC Code 014306	Weight Each (lbs.)	Master Pack	Master Pack Volume (cu. ft.)
White Frame	US532004	Blue	916439	21.46	2	8.58
	CT352004	Khaki	907581			
	US393004	Fern Green	918938			
	US241004	Turquoise	920535			
New Colors!	US019004	Orange	921846			
	US194004	Sky Blue	921921			
Bronze Mist Frame	US550037	Spa Blue	920542			
	US352037	Khaki	143019			
Teakwood Frame	US352008	Khaki	907574			
Sandstone Frame	US355066	Taupe	912314			