

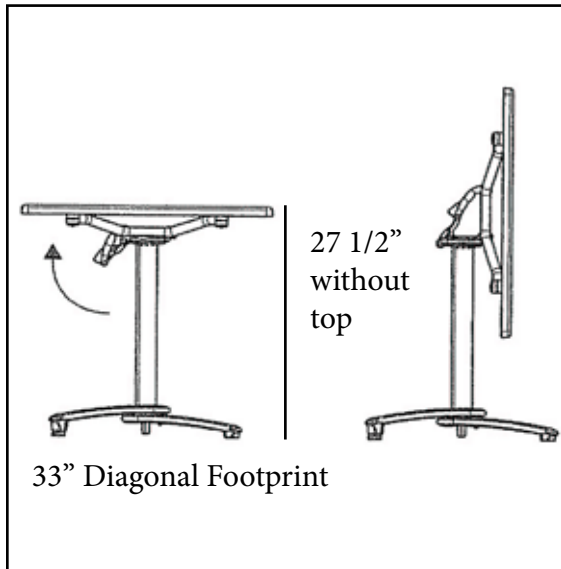


COMMERCIAL RESIN FURNITURE

*Your best value for Food Service & Hospitality!*

# Aluminum Tilt Top Base 200

**Folds for Easy Daily Storage!**



**Features & Benefits** **Warranty: 2 Yrs.**

- Specifically designed for indoor/outdoor hospitality and food service use.
- Allows daily storage of Grosfillex molded melamine 32” Square, 36” Square, and 36” Round sizes.
- Heavy duty powder coated aluminum construction for weather resistance and structural integrity.
- Patented single action handle for ease of operation.
- Table legs interlock/nest for compact storage.
- Two adjustable leg levellers balance table on uneven surfaces.
- Easy to assemble.
- Easy to secure with metal chain and padlock.

<b>Product Specifications</b>						
Product Description	Reference Number	Color	UPC Code	Weight Each (lbs.)	Master Pack	Master Pack Volume (cu. ft.)
Aluminum Tilt Top Base 200	US809017	Black	140162	19.77	1	2.18
	US809009	Silver Gray	141589			