

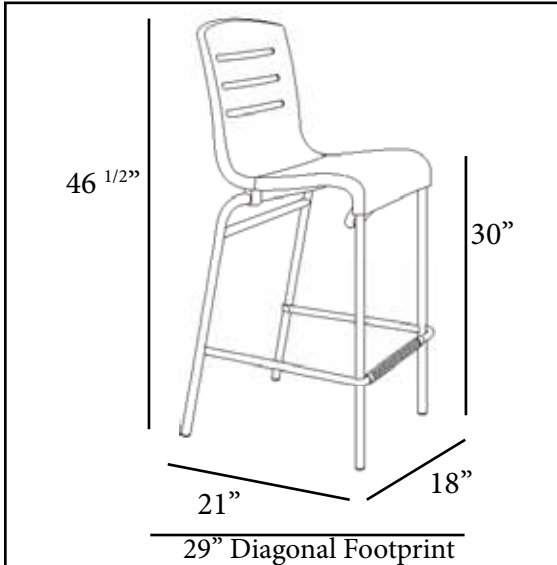
# Grosfillex

# New Colors!

INTERIOR

## Domino Stacking Barstool

Seat and footrest tested to 400 lbs. static load and 150 lb. impact test.



### Features & Benefits

**Warranty: 3 Yrs.**

- Indoor stacking barstool specifically designed for versatility of use in many contemporary environments.
- Strong metal legs and hard wearing footpads for extra stability.
- Stacks for easy storage.
- Rated to 300 lbs. for safe use in commercial areas.
- Easy to clean with soap and mild detergent and water.
- Coordinates with Domino Stacking Chair.

### Product Specifications

Product Description	Reference Number	Color	UPC Code 014306	Weight Each (lbs.)	Master Pack	Master Pack Volume (cu. ft.)
Domino Stacking Barstool	US510152	Fern Green/White	912561	17.03	8	64.80
	US051152	Fern Green/White	912561	17.37	2	19.30
	US510019	Orange/White	912578	17.03	8	64.80
	US051019	Orange/White	912578	17.37	2	19.30
	US510414	Red/White	912585	17.03	8	64.80
	US051414	Red/White	912585	17.37	2	19.30
	US510017	Black/White	912592	17.03	8	64.80
	US051017	Black/White	912592	17.37	2	19.30
	US514413	Beige/Taupe	912608	17.03	8	64.80
	US051413	Beige/Taupe	912608	17.37	2	19.30
	US510151	Eggplant/Linen	918266	17.03	8	64.80
	US051151	Eggplant/Linen	918266	17.37	2	19.30
	US510187	Raspberry/Linen	919348	17.03	8	64.80
	US051187	Raspberry/Linen	919348	17.37	2	19.30
<i>New Color!</i>	US510196	Storm Blue/Linen	921624	17.03	8	64.80
	US051196	Storm Blue/Linen	921624	17.37	2	19.30