

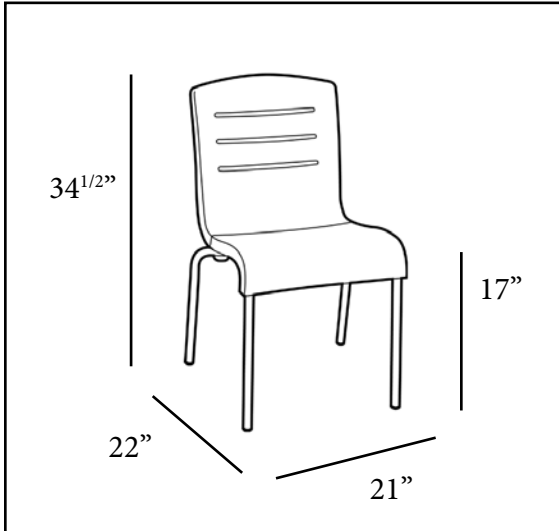


New Color!

Domino Stacking Chair

Meets the performance standards of EN 581-1 and EN 581-2 for commercial use.

Tested in accordance with and passes each test procedure utilized in ASTM F 1561-96 Class B performance standard for commercial seating.



Features & Benefits **Warranty: 3 Yrs.**

- Unique, 2-color designer chair with a young & fun personality and european design.
- Strong metal legs and hard wearing footpads for extra stability.
- Indoor stacking chair specifically designed for versatility of use in many contemporary environments.
- Perfect for use in food courts, cafeterias, airports, shopping malls, hospitals, colleges, and universities.
- Stacks for easy storage.
- Easy to clean with soap and water.
- Rated to 300 lbs. for safe use.

Product Specifications

Product Description	Reference Number	Color	UPC Code 014306	Weight Each (lbs.)	Master Pack	Master Pack Volume (cu. ft.)
Domino Stacking Chair <i>New Color!</i>	US041414	Red/White	911991	13.26	4	21.60
	US041152	Fern Green/White	911915	13.26	4	21.60
	US041017	Black/White	911892	13.26	4	21.60
	US041019	Orange/White	911885	13.26	4	21.60
	US041413	Beige/Taupe	911908	13.26	4	21.60
	US410151	Eggplant/Linen	918242	13.26	4	21.60
	US410187	Raspberry/Linen	919324	13.26	4	21.60
	US410196	Storm Blue/Linen	921631	13.26	4	21.60