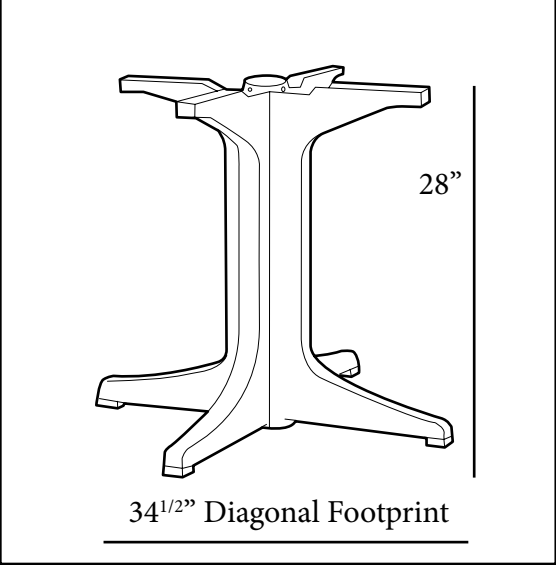




Resin Pedestal Base 2000

4 Prong for Increased Stability



Features & Benefits **Warranty: 2 Yrs.**

- Specifically designed for indoor/outdoor hospitality food service use.
- Heavy duty four-prong resin base *for all Grosfillex tables sizes 32", 36", 42" and 48" x 32"*.
- One adjustable leg leveler balances table on uneven surfaces.
- Made of 100% prime resin, a material impervious to moisture, salt air, chlorine, and most common food stains.
- Umbrella hole fits all Grosfillex 1 1/2" umbrella poles - no need for an umbrella base!
- Anti-skid glides for extra stability and resistant to wear.
- Available in six colors to custom design your Grosfillex table with full table top complements.

Product Specifications						
Product Description	Reference Number	Color	UPC Code	Weight Each (lbs.)	Master Pack	Master Pack Volume (cu. ft.)
Resin Pedestal Base 2000	US624202	Charcoal	116228	16.00	1	2.75
	US623204	White	700007			
	US624237	Bronze Mist	128122			
	US624208	Teakwood	131528			
	US624278	Amazon Green	708058			
	US624181	Taupe	918358			