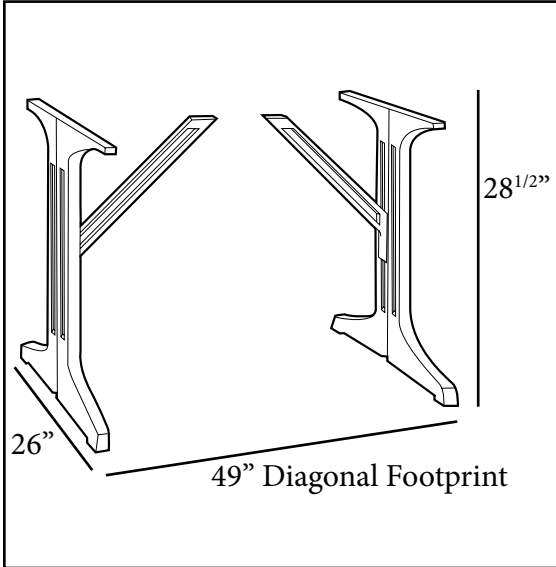




# New Color!

E  
X  
T  
E  
R  
I  
O  
R

## Resin Lateral Base 1000



**Features & Benefits** **Warranty: 2 Yrs.**

- Specifically designed for Grosfillex 48" x 32" with umbrella hole food service molded melamine tables.
- Heavy duty four-prong resin base for extra stability.
- Made of 100% prime resin, a material impervious to moisture, salt air, chlorine.
- Anti-skid glides for extra stability and resistant to wear.
- Available in three colors to custom design your Grosfillex table with full table top complements.

<b>Product Specifications</b>						
Product Description	Reference Number	Color	UPC Code 014306	Weight Each (lbs.)	Master Pack	Master Pack Volume (cu. ft.)
Resin Lateral Base <i>New Color!</i>	55618302	Charcoal	134628	15.00	1	1.65
	55618337	Bronze Mist	132921			
	55618181	Taupe	918365			